

## 22 Series Exit Device

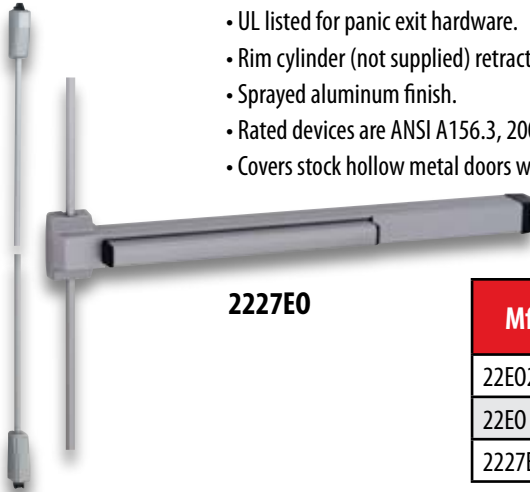
# VON DUPRIN®

Von Duprin



**22E0/22E0-F**

- 22 Rim exit device for all types of single and double doors with mullion.
- UL listed for panic exit hardware.
- Rim cylinder (not supplied) retracts latch.
- Sprayed aluminum finish.
- Rated devices are ANSI A156.3, 2001, Grade 1.
- Covers stock hollow metal doors with 161 cutouts
- Device ships ready for all functions; EO, DT, NL, TP, K, L
- Handing: non-handed
- Device lengths: 3'
- Supplied with 299 dull black strike.
- Dogging feature: hex key dogging standard (non-fire rated)
- Deadlocking latch bolt 3/4" throw (22E0 & 22E0-F)
- Door Height 7' (2227E0)



**2227E0**

Mfg #	Exit Device Type	Minimum Door Opening 1/2" Stop	Minimum Door Stile Width	EZ #
22E028 3FT	Rim	26-1/2"	3-13/16"	013741
22E0 F SP28	Fire Rated Rim	26-1/2"	4-3/8"	066362
2227E0 689	Surface Mount Vertical Rod	25-7/8"	4-3/8"	027629

## 22 Series Trim & Alarm Kit



**210K**

**230L06**

**230TP**

**230NL**

**230TP BE**

- Retrofit kit for 22 devices is a simple yet effective way to deter unauthorized use of an opening.
- ALK kit contains a 85 decibel internal horn. When the touch bar is depressed, the horn sounds to provide an audible means of signaling that the opening has been violated.
- Alarm kit can be armed or disarmed by key thus allowing the exit device to be set in an armed or disarmed mode.
- Standard Hex Key dogging not available when using an ALK.
- Uses a standard 1-1/4" mortise cylinder with a straight cam (not supplied).
- Operates on one standard 9 volt alkaline battery.
- Intermittent low battery alert signal when battery is weak.
- Furnished with a RX request to exit switch.
- Includes "EMERGENCY EXIT ONLY, ALARM WILL SOUND" decal for application on the door.



**22ALK**

Mfg #	Type	Type	Function	Escutcheon Plate Size	Pull Centers	Cylinder	EZ #
210K689	Knob Trim	K	Classroom	3" x 4-25/32" x 3/32"		Supplied	013733
230L06 689RHR	Lever Trim	L	Classroom	3" x 6-3/8" x 15/16"		1-1/4" Mortise	060528
230NL689	Night Latch	NL	Storeroom	3" x 12-1/16" x 3/32"	5-1/2"	Rim	027625
230TP	Thumbpiece with Cylinder	TP	Classroom	3" x 12-1/16" x 3/32"	5-1/2"	1-1/4" Mortise	037249
230TP BE689	Thumbpiece less Cylinder	TP	Passage	3" x 12-1/16" x 3/32"	5-1/2"	None	076517

Mfg #	EZ #
22ALK 689	013739

## VON DUPRIN® 44 Series Exit Devices



44EO

Mfg #	Type	EZ #
44EO 689 299 LC	Exit Only	037245
44TP 689 299 LC	Device with Thumbpiece Trim	037246

### 44EO

- Non-handed economical exit device is supplied with single door 299 strike.
- Device will fit 1-3/4" thick doors and is field sizeable from 2'6" to 4' wide doors.
- Rim cylinder (not supplied) retracts latch.
- Sprayed aluminum finish.
- Supplied with 299 dull black strike.
- Dogging feature: hex key dogging standard

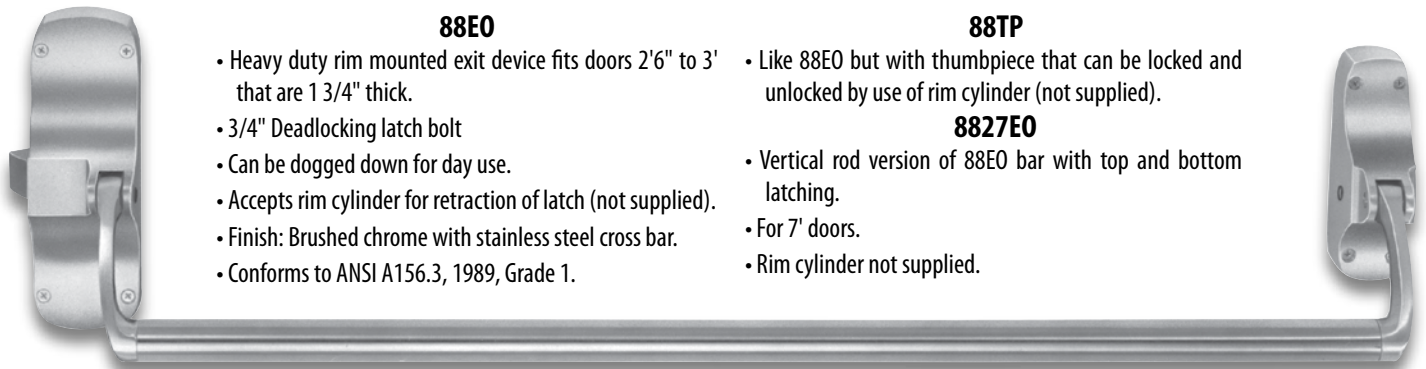
- Deadlocking latch bolt 3/4" throw
- Rim cylinder (not supplied) retracts latch.
- cUL listed 266M Panic Hardware.

### 44TP

- Like 44EO bar but supplied with gripset that is operated by rim cylinder, which locks or unlocks the 2 part thumbpiece.
- Size of handle is 2" x 9-5/8".

*Note: No replacement parts are available for the 44 series exit devices*

## 88 Series Exit Devices



### 88EO

- Heavy duty rim mounted exit device fits doors 2'6" to 3' that are 1 3/4" thick.
- 3/4" Deadlocking latch bolt
- Can be dogged down for day use.
- Accepts rim cylinder for retraction of latch (not supplied).
- Finish: Brushed chrome with stainless steel cross bar.
- Conforms to ANSI A156.3, 1989, Grade 1.

### 88TP

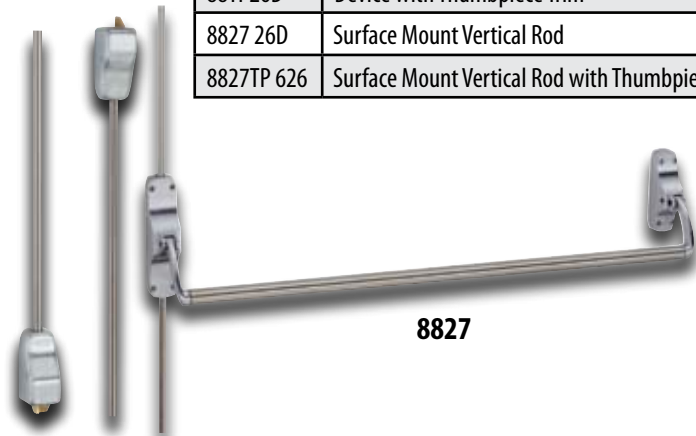
- Like 88EO but with thumbpiece that can be locked and unlocked by use of rim cylinder (not supplied).

### 8827EO

- Vertical rod version of 88EO bar with top and bottom latching.
- For 7' doors.
- Rim cylinder not supplied.

88EO

Mfg #	Type	EZ #
88EO26D	Exit Only	013767
88TP26D	Device with Thumbpiece Trim	013773
8827 26D	Surface Mount Vertical Rod	013776
8827TP 626	Surface Mount Vertical Rod with Thumbpiece Trim	037256



8827

### 880TP R

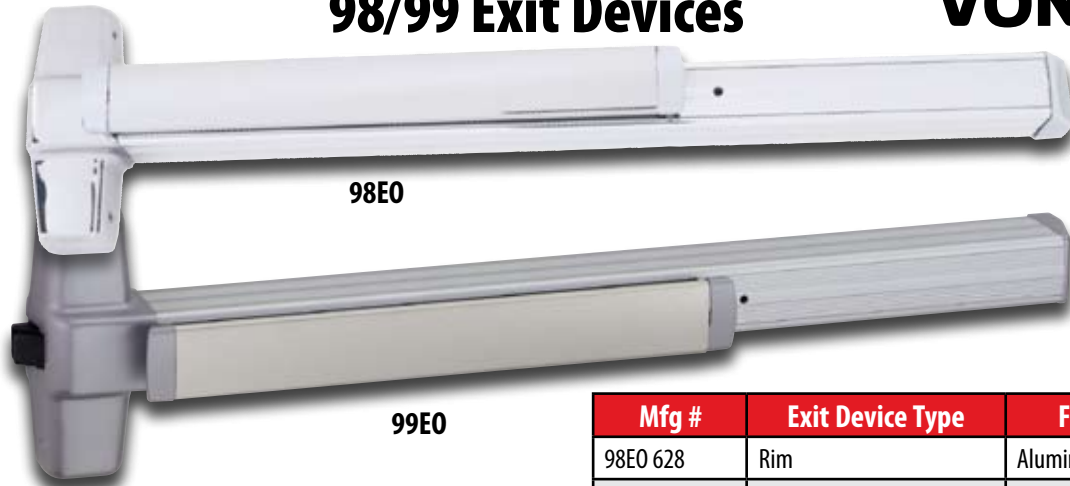
- Thumbpiece trim for 88 series exit devices.
- Requires rim cylinder for operation (not supplied)
- Escutcheon Size: 3" x 14-3/16" x 3/32"
- Finish: brushed chrome

Mfg #	EZ #
880TP R 26D	037250

## 98/99 Exit Devices

# VON DUPRIN®

Von Duprin



- Von Duprin push pad exit devices are available in two external surface styles; the 98 & 99 series. Both are functionally and dimensionally identical.
- 98 Series features smooth mechanism case with the 99 series having a grooved mechanism case
- Devices are equipped with a fluid dampener which decelerates the pushpad on its return stroke and eliminates most noise associated with exit device operations.
- Rim devices are equipped with a deadlocking latchbolt to provide additional security and improved performance.
- For all types of single and double doors with mullion.
- ANSI A156.3, 2001, Grade 1, UL

- Non handed for left and right doors.
- Dogging Feature Hex key dogging standard (non fire rated).
- Covers stock hollow metal doors with 86 or 161 cutouts on single doors
- Devices are 3' long. Can be field sized for doors from 2'4" to 3' wide.
- Rim mount devices supplied with 299 surface strike.
- Supplied with mounting hardware for 1-3/4" to 2-1/4" thick doors.
- Vertical devices are for 7' high doors with 5/8" deadlocking latches.
- Center case dimensions: 8" x 2-3/4" x 2-3/8"

Mfg #	Exit Device Type	Finish	Case	EZ #
98E0 628	Rim	Aluminum	Smooth	061926
98E0 F26D	Fire Rated Rim	Brushed Chrome	Smooth	028968
98E0626	Rim	Brushed Chrome	Smooth	028967
99E0 628	Rim	Aluminum	Grooved	037248
99E026D3FT	Rim	Brushed Chrome	Grooved	013780
99E0 F626	Fire Rated Rim	Brushed Chrome	Grooved	061937
9827E026D3FT	Surface Mount Vertical Rod	Brushed Chrome	Smooth	079248
9827E0628	Surface Mount Vertical Rod	Aluminum	Smooth	077709
9927E028	Surface Mount Vertical Rod	Aluminum	Grooved	062623
9927E0626	Surface Mount Vertical Rod	Brushed Chrome	Grooved	029828



## 98/99 Exit Device Trims

- All stocked in brushed chrome
- 996L Breakaway™ trim is effective in areas where vandalism to door hardware is a problem. The design is intended to discourage repairs from becoming necessary.

Mfg #	Type	Function	Escutcheon Plate Size	Pull Centers	Cylinder	EZ #
990DT 26D	DT	None	3" x 14-3/16" x 3/32"	5-1/2"	None	060527
990NL R26D	NL	Storeroom	3" x 14-3/16" x 3/32"	5-1/2"	Rim	028971
990TP BE	TP BE	Passage	2-3/4" x 10-3/4" x 27/32"	5-1/2"	None	090474
990TP R26D	TP	Classroom	2-3/4" x 10-3/4" x 27/32"	5-1/2"	1-1/4" Mortise	028973
992L R/V 06 LHR 626		Classroom	2-3/4" x 10-3/4" x 27/32"	5-1/2"	1-1/4" Mortise	073090
996L06 626		Classroom	2-3/4" x 10-3/4" x 27/32"	5-1/2"	1-1/4" Mortise	086441

## VON DUPRIN® 35 Narrow Stile Exit Device

35E0



Mfg #	EZ #
35E028 3FT	079179

- 35 Series has smooth mechanism case.
- Devices are equipped with a fluid dampener which decelerates the pushpad on its return stroke and eliminates most noise associated with exit device operations.
- Equipped with a deadlocking latchbolt to provide additional security and improved performance.
- For all types of single and double doors with mullion.
- Non handed for left and right doors.
- Dogging Feature Hex key dogging standard.
- Fits door stiles as narrow as 1-3/4".
- Devices are 3' long. Can be field sized for doors from 2'4" to 3' wide.
- Rim mount devices supplied with 1439 roller strike.
- Supplied with mounting hardware for 1-3/4" to 2-1/4" thick doors.
- Center case dimensions: 8-3/16" x 2-13/32" x 1-9/16"
- ANSI A156.3, 1994, Grade I, UL Listed
- Stocked in brushed aluminum.

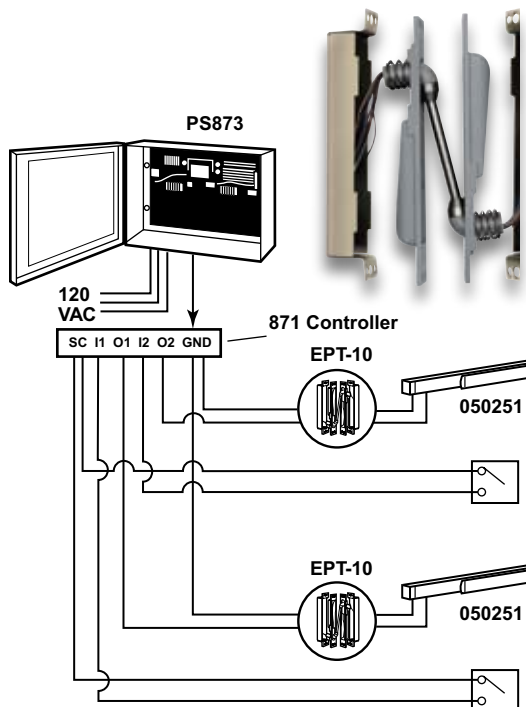
## Electric Latch Retraction Kits & Accessories

- For the remote unlatching of exit devices. An access control system or guard station operator flipping a switch is able to retract the latch bolt immediately. This changes the exit door from push-pull operation for momentary unlatching, or for extended periods of time thus electronically dogging the device.
- ELR devices are also useful with automatic door operators, and may be applied to fire-rated applications when under the control of an automatic fire alarm system. ELR devices are UL approved for Class II circuit applications.
- Another application for an ELR device is to be used as an alternative to an electric strike where frame conditions do not allow for them to be used..



050070

- Electric Latch Retraction (ELR) conversion kit for 33, 35, 98, & 98 series 3' exit devices
- Requires PS873 power supply to function.



EPT10

- Electric power transfer conducts current from the frame to the edge of a swinging door.
- Fully concealed when door is closed.
- Ten 24 gauge wires; up to 1 amp @ 24VDC with a 16 Amps maximum surge.

050251

- Field installable request to exit (RX) switch signals access control systems when pushpad is depressed.
- For 22, 33, 35, 98, & 99 devices,

DCPM1

- Step down transformer converts 24VAC or 24VDC To 9-18VDC
- Rated at 1 Amp



PS873

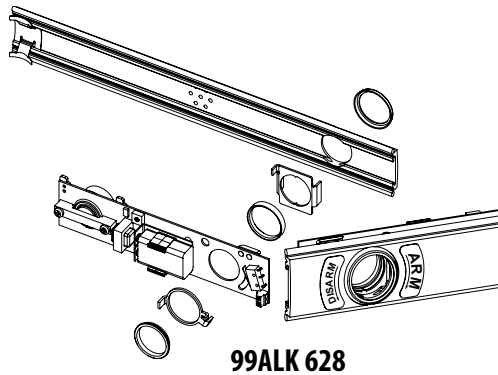
871 2

- Measures: 10"H x 12-1/2"W x 5"D
- Output: 24VDC@2A or 12VDC@4A
- Will power 1 or 2 (Optional 872-2 Controller) ELR devices.

Mfg #	Description	EZ #
050070	3' EL Conversion Kit	084403
PS873	EL Power Supply	076501
871 2	2 Zone Controller	084356
EPT10 SP28	Power Transfer	030532
050251	RX Switch Kit	067216
DCPM1	Stepdown Transformer	101014

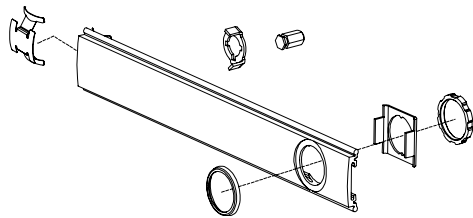
## 98/98 Series Accessories

## VON DUPRIN®



**99ALK 628**

- Retrofit kit for 99 devices is a simple yet effective way to deter unauthorized use of an opening.
- ALK kit contains a 85 decibel internal horn. When the touch bar is depressed, the horn sounds to provide an audible means of signaling that the opening has been violated.
- Alarm kit can be armed or disarmed by key thus allowing the exit device to be set in an armed or disarmed mode.
- Standard Hex Key dogging not available when using an ALK.
- Uses a standard 1-1/4" mortise cylinder with a straight cam (not supplied).
- Operates on one standard 9 volt alkaline battery.
- Intermittent low battery alert signal when battery is weak.
- Furnished with a RX-request to exit switch.
- Includes "EMERGENCY EXIT ONLY, ALARM WILL SOUND" decal for application on the door.
- It is recommended to use the non stock ALK-LX kit when used in conjunction with surface mount vertical exit devices.

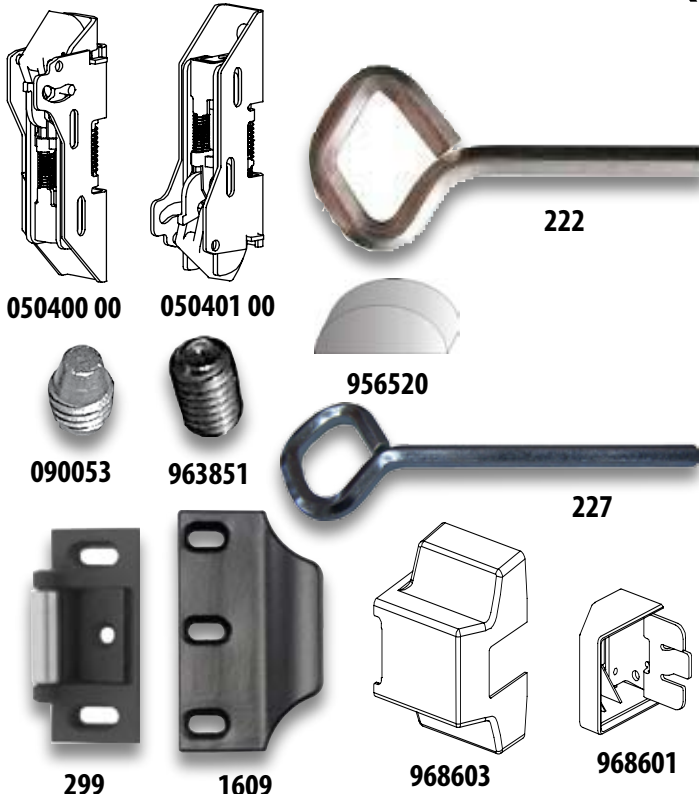


### 99ALK

- Retrofit kit for cylinder dogging on 98/99 devices (except fire rate) to replace the standard hex key dogging unit.
- Requires a 1-1/4" mortise cylinder with straight cam (not supplied).

Mfg #	Description	Series	EZ #
99ALK 628	Alarm Kit	99	069014
050115 628	Cylinder Dogging Kit	99 Except Fire Rated	071160
051803	12" Extension Rod Kit	9827 & 9927	047626

## Exit Device Parts (All Series)

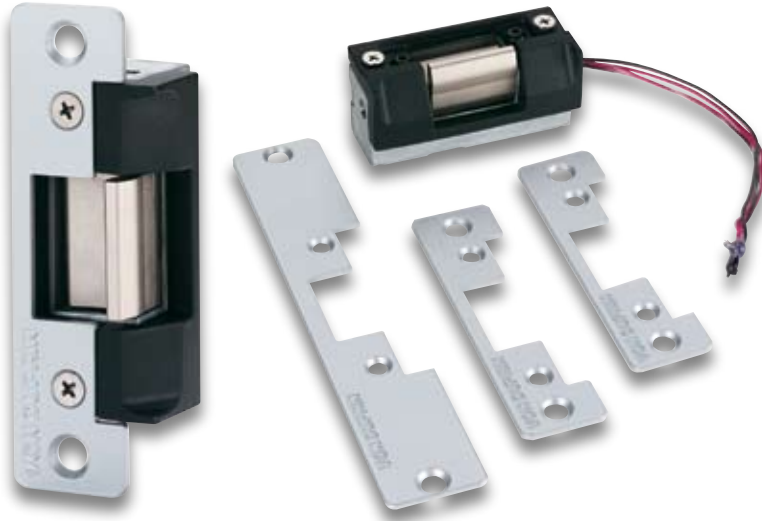


Mfg #	Description	Series	EZ #
050400 00	Top Latch Less Cover	9827, 9927	091202
050401 00	Bottom Latch Less Cover	9827, 9927	091203
090053	Dogging Screw	55	037259
956520	Wedge	88	037258
963851	Wedge Tite Adapter Screw	55, 88	013715
103865	Lever Arm Axle Assembly	88	027733
968485	Dogging Screw	88	037257
1609 26D	Double Door Strike	44, 55, 88, 98, 99	013728
222	7/32" Hex Dogging Key	44, 88	013744
227	5/32" Hex Dogging Key	22, 98, 99	013749
299BLACK	Standard Door Strike	44, 55, 88, 98, 99	027626
968601	End Cap	22	070651
968603	Center Case Cover	22	073059

## VON DUPRIN®

## 5100 Multi-Function Series

Von Duprin



- Voltage: 12 or 24 VDC continuous duty
- Fail-safe or fail-secure Easily changed in less than thirty seconds.
- Includes mounting tabs, & neoprene filler place
- 1300 lbs pounds of holding strength.
- Keeper depth of 1/2": Accommodates latches up to 5/8" throw.
- Tested to over one million cycles.
- Faceplates Included: 4-7/8" ANSI round corner, 4-7/8" ANSI square corner, 7-15/16" long, round corner wood frame prep
- Adjustable keeper provides a snug fit and reduces pressure from the door on the strike.

Mfg #	EZ #
5100 628	074901

## 6100 & 6200 Heavy Duty Strikes



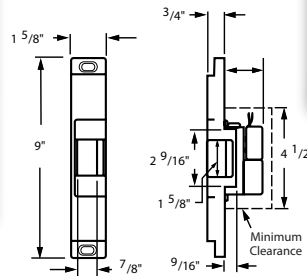
### 6111

- For use with rim exit devices on single doors or double doors with mullion applications
- For hollow metal, aluminum or wood.
- Stainless Steel Construction
- Accepts 3/4" Throw Latchbolt
- Non-handed
- Fail Secure
- Horizontally Adjustable
- Plug Connectors



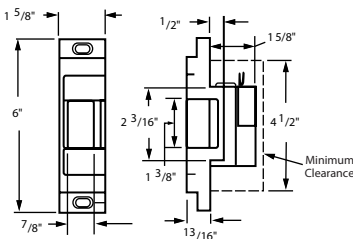
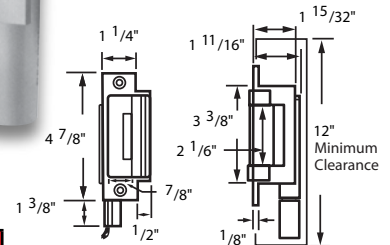
### 6112

- For use with rim exit devices on single door applications.
- For hollow metal, aluminum or wood.
- Stainless Steel Construction
- Accepts 3/4" Throw Latchbolt
- Non-handed
- Fail Secure
- Horizontally Adjustable
- Plug Connectors



### 6211

- Electric strike for use with mortise locks without deadbolt or cylindrical locks on single door, hollow metal frames.
- Stainless Steel Construction
- Accepts 3/4" Throw Latchbolt
- Non-handed
- Fail Secure
- Horizontally Adjustable
- Plug Connectors



Mfg #	For	Voltage	EZ #
6111 32D12VDC	Rim Exit Devices	12VDC Fail Secure	062202
6111 32D24VDC	Rim Exit Devices	24VDC Fail Secure	030163
6112 12VDC 630	Rim Exit Devices	12VDC Fail Secure	037252
6112 32D24VDC	Rim Exit Devices	24VDC Fail Secure	030192
6211 32D24VDC	Cylindrical or Mortise	24VDC Fail Secure	030193