

SARGENT
ASSA ABLOY

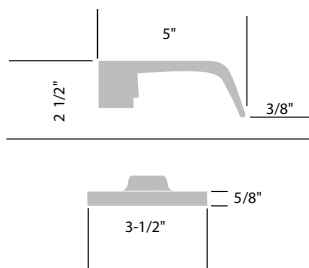
11 Line T-Zone Heavy Duty Levers



- T-Zone exceeds ANSI/ BHMA A156.2 Grade 1 cycle requirements by 10 times.
- Withstands over 3000 in/lbs of ANSI/BHMA Grade 1 torque force without entry.
- True interlocking construction of the stainless steel lock body and latchbolt forming a rugged, torque-resistant "T" in the critical twist area.
- For doors 1-3/4" to 2".
- Warranty: 10 Years Limited
- Bearing Assembly: Cast and machined stainless steel
- Not Handed
- Levers: Secured with 6 lobe security set screw standard, tool included.
- Roses: Heavy wrought brass, bronze or stainless steel
- Latchbolt Stainless steel bolt 7/8" x 1/2" throw.

Mfg #	Finish	Keyway	EZ #
Entrance: Latchbolt by either lever unless outside lever is locked by push/turn button in inside lever. Turn button must be released manually. Key only retracts latchbolt when outside lever is locked by push button.			
28 11G05LL26D	Satin Chrome	LA	074870
Storeroom: Latchbolt by lever inside or key outside. Outside lever rigid at all times.			
28 30 11G04LL26D	Satin Chrome	For Schlage KIK, Less Cylinder	075387
Passage: Latchbolt by either lever			
28 11U15LL26D	Satin Chrome	None	074872

10 Line Heavy Duty Levers

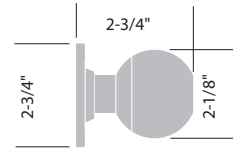


Mfg #	Finish	Keyway	EZ #
Storeroom: Latchbolt by lever inside or key outside. Outside lever rigid at all times.			
28 10G04LL26D	Satin Chrome	LA	030492
Entrance: Latchbolt by either lever unless outside lever is locked by push/turn button in inside lever. Turn button must be released manually. Key only retracts latchbolt when outside lever is locked by push button.			
28 10G05LL26D	Satin Chrome	LA	030493
Classroom: Latch by either lever unless outside lever is locked by key. Key in outside lever locks or unlocks outside lever and retracts latch. Inside lever always operative			
28 10G37LL26D	Satin Chrome	LA	030494
Passage: Latchbolt by either lever			
28 10U15LL26D	Satin Chrome	LA	061940

- Cycle Test: Exceeds 5 times A156.2 Grade 1 requirements
- Abusive Locked Lever Torque- without entry gained: Exceeds 1.5 times A156.2 Grade 1
- For doors 1-3/4" to 2".
- Warranty: 7 Years Limited
- Not Handed
- Cylindrical Housing Steel, zinc dichromate finish
- Levers: Solid Cast
- Roses: Heavy wrought brass, bronze
- Multiple thru-bolt positions.
- Latchbolt Stainless steel 1/2" throw.

SARGENT
ASSA ABLOY

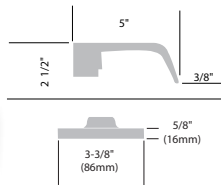
8 Line Heavy Duty Knob Sets



Mfg #	Finish	Keying	EZ #
Storeroom: Latchbolt by knob inside or key outside. Outside knob rigid at all times.			
28 8G040B26D	Satin Chrome	LA	031246
Entrance: Latchbolt by either knob unless outside knob is locked by push/turn button in inside knob. Turn button must be released manually. Key only retracts latchbolt when outside knob is locked by push button.			
28 8G050B26D L/CYL	Satin Chrome	Less Cylinder	086761
28 8G050B26D LA	Satin Chrome	LA	029160
Classroom: Latch by either knob unless outside knob is locked by key. Key in outside knob locks or unlocks outside knob and retracts latch. Inside knob always operative			
8G370B26D LA	Satin Chrome	LA	011995

- Heavy duty T-Zone construction with interlocking latch and aligning tubes
- ANSI A156.2 Series 4000 Grade 1
- 1-3/8" thick door adjustable to 1-3/4"
- OB Knob Design
- Accurate alignment, smooth operation and reversibility of the lock without disassembly of knob and cylinder
- Latch: seamless brass tube with stainless steel springs for longer life.

7 Line Medium Duty Lever Sets



Mfg #	Finish	Keying	EZ #
Storeroom: Latchbolt by lever inside or key outside. Outside lever rigid at all times.			
28 7G04LL10B LA	Oxidized bronze, oil rubbed	LA	072731
28 7G04LL26D LA	Satin Chrome	LA	074557
Entrance: Latchbolt by either lever unless outside lever is locked by push/turn button in inside lever. Turn button must be released manually. Key only retracts latchbolt when outside lever is locked by push button.			
28 7G05LL10B LA	Oxidized bronze, oil rubbed	LA	072732
28 7G05LL26D LA	Satin Chrome	LA	074558

- Exceeds 2-1/2 times ANSI/BHMA A156.2 Grade 2 cycle requirements
- Non-handed
- Solid feel and precise lever action
- For doors 1-3/8" to 1-3/4"
- Cylindrical Housing Steel, zinc dichromate finish

6 Line Medium Duty Knob Sets

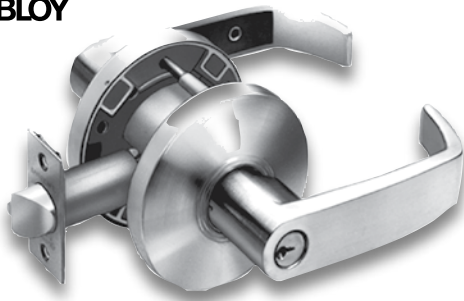


Mfg #	Finish	Keying	EZ #
Storeroom: Latchbolt by knob inside or key outside. Outside knob rigid at all times.			
24 6G040B26D LA	Brushed Chrome	LA	011949
Entrance: Latchbolt by either knob unless outside knob is locked by push/turn button in inside knob. Turn button must be released manually.			
6G050B26D LA	Brushed Chrome	LA	011961
Classroom: Latch by either knob unless outside knob is locked by key. Key in outside knob locks or unlocks outside knob and retracts latch. Inside knob always operative			
24 6G370B26D LA	Brushed Chrome	LA	011968
Privacy: Latch retracted by either knob unless outside knob is locked by push button in inside knob			
24286U650B26D	Brushed Chrome		062146

- Fits doors from 1-3/8" to 1-3/4" thick
- Certified ANSI A156.2 Series 4000 – Grade 2
- OB Knob Design
- Knob & Rose: Wrought brass/bronze.

SARGENT
ASSA ABLOY

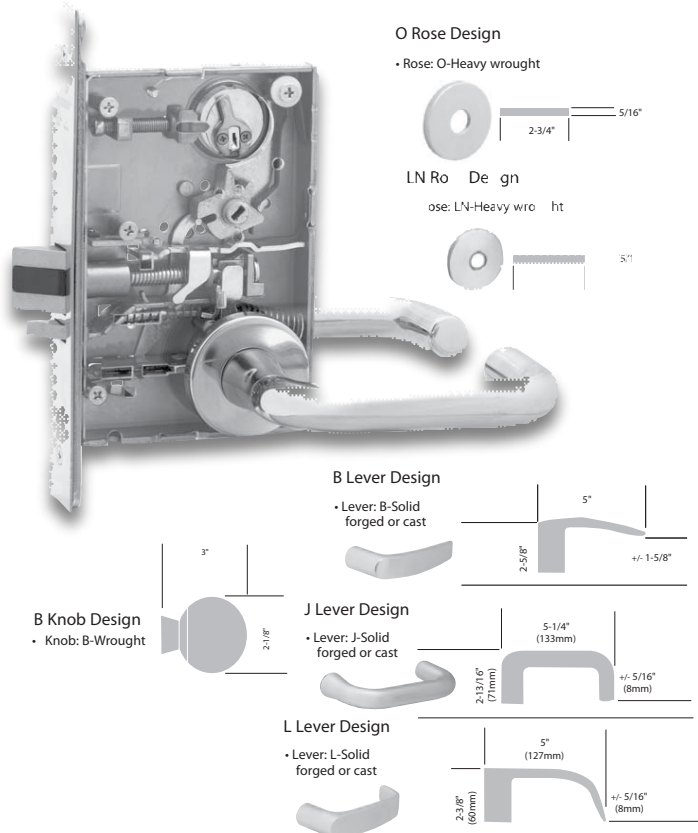
6500 Line Medium Duty Lever Sets



- Meets ANSI/BHMA A156.2 Grade 2 cycle requirements
- Non-handed
- For doors 1-3/8" to 1-3/4"
- Cylindrical Housing Steel, zinc dichromate finish
- Wrought Rose, Cast Lever

Mfg #	Finish	Keying	EZ #
Storeroom: Latchbolt by lever inside or key outside. Outside lever rigid at all times.			
65G04KL26D	Brushed Chrome	LA	064114
Entrance: Latchbolt by either lever unless outside lever is locked by push/turn button in inside lever. Turn button must be released manually. Key only retracts latchbolt when outside lever is locked by push button.			
65G05KL26D	Brushed Chrome	LA	064115
Passage: Latchbolt by either lever			
65U15KL26D	Brushed Chrome	LA	064116
Privacy: Latch retracted by either lever unless outside lever is locked by push button in inside lever			
65U65KL26D	Brushed Chrome	LA	064117

7800 & 8200 Mortise Knob & Locksets



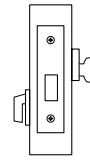
Mfg #	Type	Design	Hand	EZ #
Storeroom: Key outside or lever/knob inside retracts latchbolt. Lever/Knob outside rigid at all times.				
78040B26D RH LA	Knob	OB	RH	071664
8204LNL26D LH	Lever	LNL	LH	070956
Entry: Key outside retracts latchbolt when outside lever/knob is locked. Lever/Knob inside retracts latchbolt only, outside Lever/Knob remains locked. Lever/Knob outside is locked/unlocked by thumb turn inside or by key outside				
8205LNB26D RH	Lever	LNB	RH	064103
8205LNL26D RH	Lever	LNL	RH	069479
8205LNL26D RH	Lever	LNL	RH	063993
Classroom: Key outside locks and unlocks lever/knob outside. Key outside retracts latchbolt. Lever/Knob outside retracts latchbolt, except when outside lever/knob is locked by key. Lever/Knob inside always retracts latchbolt.				
78370B26D RH	Knob	OB	RH	064955
8237LNB26D RH	Lever	LNB	RH	069482
8237LNL26D RH L/C	Lever	LNL	RH	063488

- For doors 1-3/4" thick.
- 2-3/4" backset
- Case 12 gauge heavy duty wrought steel, zinc dichromate plated.
- Case Thickness: 7/64"
- Outside Front Plate: 8" x 1-1/4"
- Hubs for Knobs: Sintered iron copper infiltrated.
- Hubs for Levers: Cold forged steel
- Latchbolt: stainless steel 3/4" projection one-piece, anti-friction reversible latch
- Hand: Easily field reversible • Certified to and exceeds ANSI A156.13, Series 1000, Operational Grade 1 and Security Grade 1 with all standard trims.

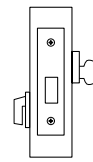
4870 Mortise Deadbolts

SARGENT
ASSA ABLOY

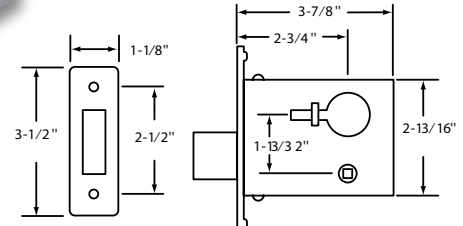
Mfg	Finish	Keying	EZ #
Single: Key outside operates deadbolt. Thumb turn inside operates deadbolt			
4875 26D LA	Satin Chrome	LA	064957
Classroom: Key outside operates deadbolt. Thumb turn inside retracts deadbolt, but will not project it.			
4877 26D LA	Satin Chrome	LA	064958



4875



4877



Sargent

- Bolt: One piece hardened stainless steel deadbolt with 1" throw
- Door thickness: 1-3/4"
- Front: 4-5/8" x 1-1/8"
- Non-handed

460 & 480 Series Cylindrical Deadbolts



465



485 & 487

- For Doors 1-3/8" to 1-3/4" thick only
- Backsets 2-3/4"

460 Series

- Bolt: Solid brass 5/8" x 13/16" x 1" throw with hardened steel pin
- Cylinder Housing: Steel reinforced and plated

480 Series

- Bolt: Solid steel with hardened steel pin insert and nickel silver plating 7/8" x 5/8" x 1" throw
- Cylinder Housing: Non-ferrous, reinforced, one piece 2-1/2"

Mfg #	Finish	Grade	Keyway	EZ #
Single: Key outside operates deadbolt. Thumb turn inside operates deadbolt				
465 32D	Satin Stainless Steel	2	LA	036960
485 10B LA	Oxidized bronze, oil rubbed	1	LA	070977
485 26D LA	Satin Chrome	1	LA	012007
Classroom: Key outside operates deadbolt. Thumb turn inside retracts deadbolt, but will not project it.				
487 26D LA	Satin Chrome	1	LA	064956

Keypad Locksets

Mfg #	Type	EZ #
KP10G77LL26D	Cylindrical Latch	075518
KP8278LNL26D	Mortise Latch	082869



KP10G77LL26D



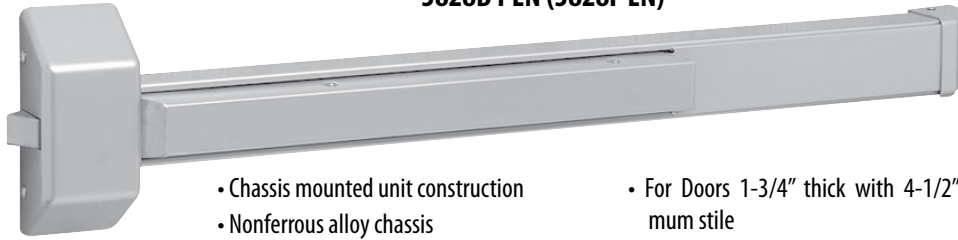
- Keypad made of ultraviolet stable textured material
- Operating temperature for keypad: 4°F to 140°F
- Adjustable unlock time
- Over 1,100,000 possible user combinations
- 100 user codes
- Operates utilizing any one to six digits per code - digits may be repeated or start with "0"
- "One time" user codes allows visitors "one time" entry
- Entry of three wrong user codes in succession disables all codes for ten seconds
- Unit can be put in "passage only" mode at keypad
- One master code - assigns emergency, supervisory and user codes
- Meets ANSI A156.2 Grade 1 requirements
- Operates with 4 "C" alkaline batteries (included)
- Key Override on both models
- External battery input connector on under side of keypad in case of battery failure
- Typical 40,000 operations per set of batteries
- For 1-3/4" thick doors
- Infrared link to optional printer (52-2069) shows last fifteen transactions

SARGENT 3828 Rim Exit Devices & Trim

ASSA ABLOY

Mfg #	Type	EZ #
3828B PEN (3828F EN)	Exit Device	073986
12 3828F EN	Fire Rated Exit Device	075151

3828B PEN (3828F EN)



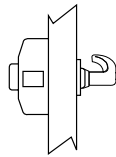
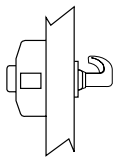
- Chassis mounted unit construction
- Nonferrous alloy chassis
- UL Listed
- Steel end caps and covers
- Meets ANSI/BHMA Standard 156.3, Grade 1
- For Doors 1-3/4" thick with 4-1/2" minimum stile
- Furnished standard with wood and machine screws
- Stainless Steel 3/4" throw latch bolt
- Single door 649 packed standard
- Finish: Sprayed aluminum enamel or polyester powder coated
- Tapered formed steel push rail and angled covers

Sargent



28-D-LL

- Dummy
- Lever rigid at all times & no outside function
- 10 Function

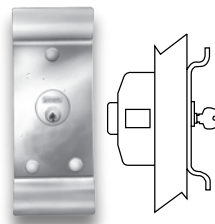


28-C-LL

- Entrance
- Key in lever locks or unlocks lever.
- 13 Function

28-L-LL

- Passage
- Latchbolt operated by lever. No Cylinder
- 15 Function



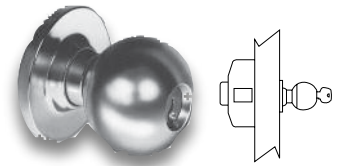
28-K-HTB

- Night Latch
- Outside by pull and key.
- 04 Function



28-C-TP

- Classroom
- Key Locks or unlocks thumbpiece
- 63 Function



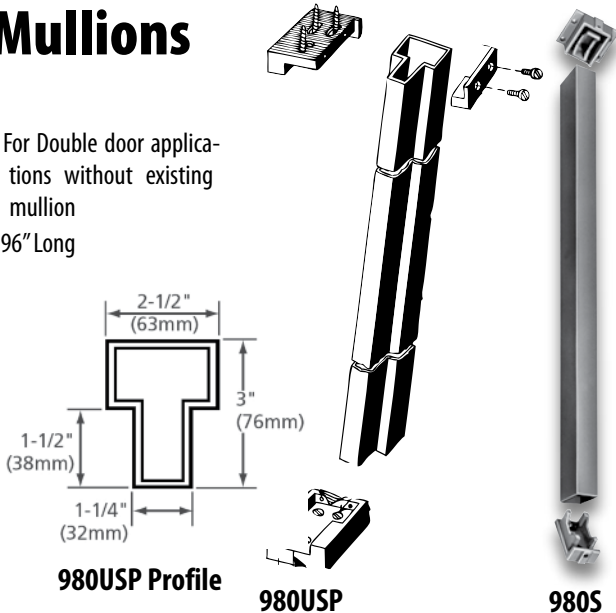
28-C-OB

- Entrance
- Key in knob locks or unlocks knob.
- 13 Function

Mfg #	Type	Function	Finish	EZ #
28 K HTB EN LA	Pull	Night Latch	Aluminum	073451
28CTP EN LA	Thumbpiece	Classroom	Aluminum	091192
28CLL26D LA	Lever	Entrance	Satin Chrome	065088
28C OB26D	Knob	Entrance	Satin Chrome	073989
28D LL 26D	Lever	Dummy	Satin Chrome	091190
28K TP EN LA	Thumbpiece	Night Latch	Aluminum	091191
28LLL26D	Lever	Passage	Satin Chrome	072974

Mullions

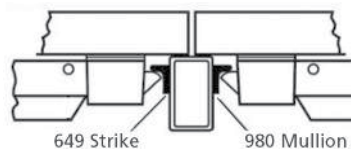
- For Double door applications without existing mullion
- 96" Long



980USP Profile

980USP

980S

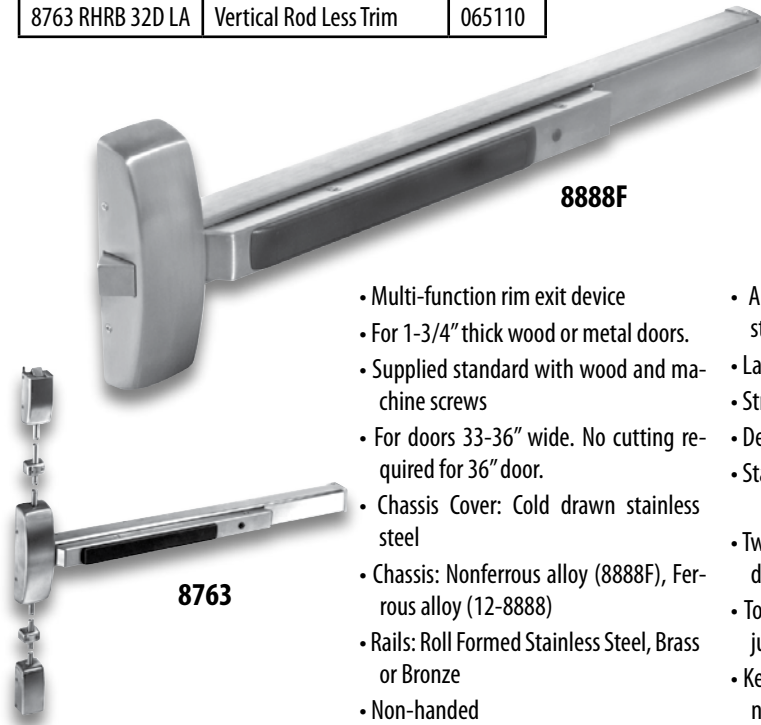


980S Profile

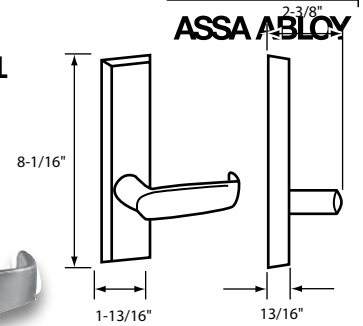
Mfg #	Type	Finish	Shape	EZ #
980S PC96"	Fixed	Prime Coated Steel	Rectangular 2" x 3"	087989
980USP MULLION	Removable	Prime Coat Aluminum	T Shaped 2-1/2" x 3"	070972

80 Series Rim Exit & Vertical Rod Devices & Trim

Mfg #	Type	EZ #
8888F 32D	Standard Rim Exit Device	065089
12 8888F 32D	Fire Rated Rim Exit Device	065090
8763 RHRB 32D LA	Vertical Rod Less Trim	065110



- Multi-function rim exit device
- For 1-3/4" thick wood or metal doors.
- Supplied standard with wood and machine screws
- For doors 33-36" wide. No cutting required for 36" door.
- Chassis Cover: Cold drawn stainless steel
- Chassis: Nonferrous alloy (8888F), Ferrous alloy (12-8888)
- Rails: Roll Formed Stainless Steel, Brass or Bronze
- Non-handed
- Allen key type dogging Feature on standard device only.
- Latchbolt: 3/4" Stainless steel throw
- Strike Supplied: Single 649 Strike
- Devices are ANSI A156.3 2001 Grade 1
- Stainless Steel finish.



- Trim can be used with all 80 Series exit devices.
- Allows convenient one hand operation.
- Forged or cast brass with levers being brass.
- Cross shaped spindle
- Key outside unlocks/locks trim
- Mortise cylinder supplied.
- Satin Chrome finish

8763

- Two point latching (top and bottom of door)
- Top & bottom latchbolt projection adjustable through center case
- Key locks or unlocks thumbpiece (trim not supplied)

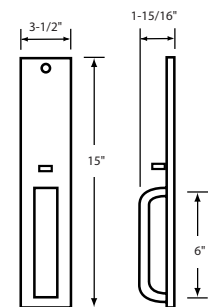
Mfg #	EZ #
713 8 ETL 26D LA	065091

90 Series Rim Exit Devices & Trim



- Reversible Rim Exit Device can be used for one of four functions determined by the non-handed trim (sold separately).
- For 1-3/4" wood or metal doors with 4-1/8" minimum stile
- Chassis Cover: stainless steel
- Chassis: Nonferrous alloy.
- Crossbar: 1" stainless steel tubing.
- Dogging: Standard Allen key dogging
- Strike 649 single door strike

Mfg #	EZ #
9898 32D	036972

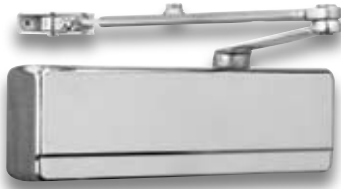


- Pull is through bolted to the exit device through the chassis which allows for perfect alignment of the thumb piece and cylinder.
- Key Outside Unlocks/ locks Thumb Piece
- Rim cylinder supplied.

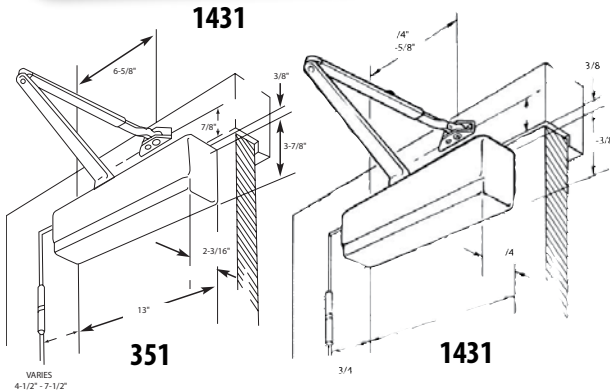
Mfg #	EZ #
98 T PTB 26D LA	036981

SARGENT
ASSA ABLOY

351 & 1431 Door Closers



Mfg #	EZ #
1431UO EN	080302
351 UO EN	036959



351

- Grade 1 Heavy Duty Case Aluminum ADA Compliant Closer
- Ideally suited for exterior doors in heavy draft and wind conditions.
- Adjustable from size 1 to 6
- UL and CUL listed for use on fire doors.
- High impact non-corrosive plastic covers standard
- Rack & Pinion for better control
- Heavy duty one piece die cast aluminum silicon alloy body with 14% silicon provides superior strength and wear resistance.
- Complies with handicap regulations for reduced open force.

1431

- General Purpose Quality Grade Closer
- Enameled Aluminum Finish
- Adjustable from size 1 to 6
- Retrofits discontinued 1230 models
- Constructed from a carefully selected aluminum silicon alloy to accommodate the door closer characteristics increasing the body strength and wear resistance.
- Key control valves offer separate regulating for door speed, latching, back-check
- Complies with handicap regulations for reduced open force.

6 Line Key-in-Knob Cylinder



13 3130

Mfg #	Keyway	EZ #
13 3130 15LA	LA	012038
13 3130 26D LB	LB	065076
13 3130 26D LC	LC	065079

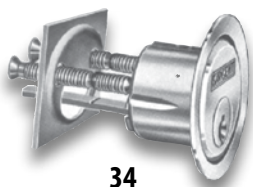
6300 Interchangeable Core



6300

Mfg #	Keyway	EZ #
6300 LA 26D	LA	036967

34 Rim Cylinder



34

Mfg #	Keyway	EZ #
34 26D LA	LA	012061
34 26D LB	LB	036955
34 26D LC	LC	036956

- 27/32" screw pattern for through-bolted exit devices
- Furnished with rosette and compression spring, and "break-off" screws and back plate
- 6 pin
- Horizontal tail piece

41 1-1/8" Mortise Cylinder



41

- Furnished with rosette and compression spring
- Supplied with Sargent standard offset cam
- 6 Pin

Mfg #	Keyway	EZ #
41 26D LA	LA	012077
41 26D LB	LB	036957
41 26D LC	LC	036958
41 26D LL	LL	064975
41 26D RA	RA	046168
41 26D RC	RC	064977
41 26D RE	RE	064962

41 Series Mortise Cams



13 0513



13 0664

Mfg #	Type	EZ #
13 0513	Adams Rite	064960
13 0664	Standard	012112

Keyblanks

Mfg #	Keyway	EZ #
6275AC	6 Pin AC	090630
6278CA	6 Pin CA	011944
NS275LA	5 Pin LA	027413
6275LA [SARG]	6 Pin LA	027418
NS6275LB	6 Pin LB	027419
NS6275LC	6 Pin LC	027420
6270LD	6 Pin LD	011906
6275LE	6 Pin LE	011928
6275LJ	6 Pin LJ	011931
6275LL	6 Pin LL	011933
6270LN	6 Pin LN	011912
6275RA	6 Pin RA	011934
6275RB	6 Pin RB	011935
6275RC	6 Pin RC	011936
6275RF	6 Pin RF	011938
6275RK	6 Pin RK	011941
6275RL	6 Pin RL	011942



6 Line 2-3/4" Latches

SARGENT
ASSA ABLOY



Mfg #	Finish	EZ #
06 5094 26D	Sain Chrome	012126

8100 Series Spindles

Mfg #	Description	Series	EZ #
578 2	1-3/4" Spindle	Old 8100	064967
579 2	1-3/4" Spindle	New 8100	064968

Exit Device Parts



01 0014



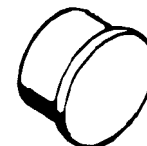
97 0012



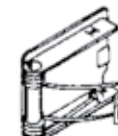
97 000154



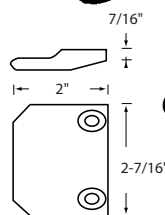
97 0028



97 0008



98 2159



644



68 2596

Mfg #	Description	Series	EZ #
01 0014	End Cap Screw	98	036949
97 000154	Dogging Key	98	036977
97 0008 26D	End Cap	98	036975
97 0012	Arm Spring	98	036976
98 0028	Latch Spring	9800	036983
98 2159	Latch Spring	9898	036984
644 32D	Flat Strike Pair of Doors	All	065100
68 2596	Dogging Kit	20 & 80	065095