

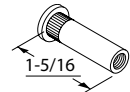


7400 Series Closers



7436

- Meets 5 lb. interior barrier-free applications.
- Non-handed
- Two noncritical adjusting valves (sweep and latch) with thermostatic properties work to provide consistent closing speeds under a wide variety of temperatures.
- Stocked in Aluminum finish.
- Adjustable backcheck standard. Provides cushioning when the door is abusively opened.
- The 7400 Series is certified to the requirements of ANSI A156.4 Grade 1.
- UL & cUL listed
- Optional BP640C mounting bracket can be used when installing into a 9-1/16" template hole pattern.



SN1

• Sex nut for 1-3/4" door

Mfg #	Size	Mounting	EZ #
7436ARP689	3-6	Regular, top jamb, and parallel mount	080370

Mfg #	EZ #
SN 1	036861

8600 Series Closer



8616

- For interior and exterior doors.
- Meets barrier-free requirements and is adjustable from size 1 thru 6.
- Non-handed for regular, top jamb and parallel arm applications.
- Adjustable backcheck standard. Controls opening motion during abusive or abrupt opening.
- POS backcheck positioning valve maintains effective backcheck range on parallel arm applications. Valve is accessible with the closer installed.
- Slim plastic cover standard.
- Designed to minimize change in closing speed during severe temperature changes.
- Aesthetically pleasing and easy to adjust steel flat form arm assembly.
- SNB1 sex nuts and machine screws for 1-3/4" thick doors included.
- No slip, octagonal bore spring adjustment standard.

Mfg #	Finish	EZ #
8616AF86P689	Aluminum	080368
8616AF86P695	Dark Duronodic Bronze	080369

8900 Series Closer



8916

- Adjustable from size 1 to 6.
- 10 million cycles independently certified.
- TIGHT LOCK® arm tightening.
- Forged steel main arm hub.
- Corrosion-resistant, high-strength, aluminum housing.
- Hardened pinion/piston provide toughness and high-strength.
- ANSI A156.4 Grade 1 certified, UL & cUL listed.
- Stock in Aluminum finish.
- Meets barrier-free handicap accessibility requirements. For Regular, Top Jam, & Parallel arm applications
- Closing force adjustment assured by octagonal housing bore.
- Positioning valve (POS) on front, accessible with closer installed.
- Full adjustment using BC, POS (PA mount), Sweep, and Latch valves; accessible with closer installed.
- Delay valve optional.
- All valves (including POS) are accessible with closer installed.
- Closing force adjustment halts at either full-on or full-off — no guessing.
- Can be used on doors to 48" wide interior & 42" wide exterior on doors weighing up to 180 lbs.
- Standard fasteners include separate wood and metal screw with SN1 sex nuts for 1-3/4" thick doors also included.

Mfg #	EZ #
8916AF89P689	080373

Dorma Suite, Overhead, Floor Closers & Door Holders



TS77 Suite Entrance Door Closers



TS77

- The low cost solution for suite entrance & low traffic doors.
- Non-handed
- Quick and easy to install.
- Mounts without a mounting backplate.
- Compact design.
- Inexpensive, proven reliability.
- Stocked in Aluminum

Mfg #	Size	EZ #
TS77 2 AL	2	036864
TS77 3 AL	3	036865

BTS80 Floor Closer

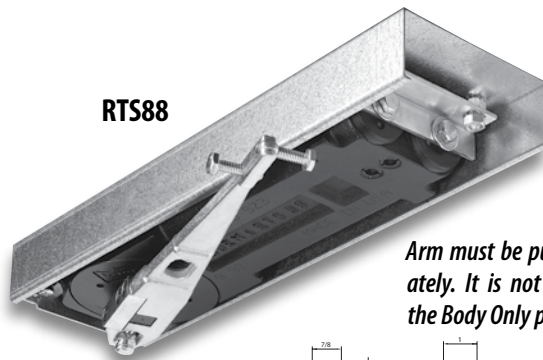


BTS80

Mfg #	Size	EZ #
BTS80 2	2	036857
BTS80 3	3	036858

- Replacement body is 13 7/16"L x 2 3/8"D
- Cover not included
- Mechanical backcheck at approximately 70°.
- Selectable delayed action between 175° and 75°.
- Delayed action is functional when hold open is not engaged.
- Selectable multipoint hold open between approximately 75° and 175°.
- Adjustment for hold open between 75° and 105°.
- Accommodates doors weighing up to 660 pounds and 4'-6" wide interior and 4'-0" exterior.
- Closer adjustment in cement case provides lateral and longitudinal adjustment of 1/4" and height adjustment of 5/32".

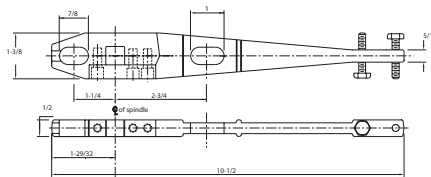
RTS88 Overhead Concealed



RTS88

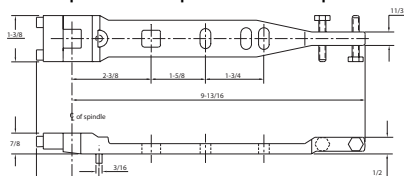
Arm must be purchased separately. It is not included with the Body Only package.

- For wood, aluminum, or hollow metal doors.
- Single and double-acting non hold open with latch & sweep valves with pressure relief valve.
- Fits into a 1-3/4" x 4" header.
- 105° maximum opening door swing.
- For doors up to 250 pounds with a maximum 3'-6" width exterior, & 4' interior.



8831 Side Load Arm

- Requires 1/2" top rail channel depth.



8836 End Load Arm

- Requires 7/8" top rail channel depth.

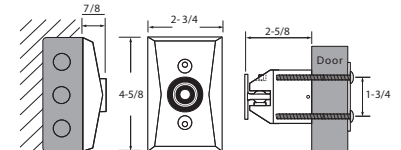
Mfg #	Description	EZ #
RTS88 105NHO SZ3	Concealed Body Only Non Hold Open	036892
8831	Side Load Arm	036902
8836	End Load Arm	036901

Electromagnetic Door Holders



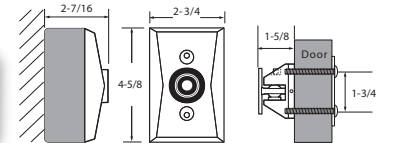
EMS24120

- UL and cUL listed.
- 24 VAC/DC or 120 VAC.
- Low current draw allows savings on power supplies and backup batteries.
- Low residual magnetism allows easy release of door.



Overall Projection: 3-1/2"

EMF24120



Overall Projection: 4-1/16"

EMS24120

- Can be manually pulled from hold open position with 25-40 maximum hold open force.
- Silent operation.
- Low current draw.
- ANSI A156.15 Grade 1.
- Finish: Satin Chrome.

Mfg #	Type	EZ #
EMF24120	Long Catch	036027
EMS24120	Short Catch	036028